

60-Watt power supplies in IP67 cover for electrical junction boxes
FEATURES:

- compact design
- IP67 cover
- reliable and powerful
- high efficiency
- compliant with international lighting standards
- safe energy source
- easy to mount

APPLICATIONS:

- general electronics
- home automation installations
- CCTV security and monitoring systems
- access control systems
- audio systems
- decorative lighting and advertising
- ventilation and small DC motors



LP-60 is a series of compact and efficient power supplies used for electrical junction boxes. It is a high-quality power unit which meets the requirements of international standards and provides high output power. It is based on high quality electronic components that allow continuous, long-lasting work in all environmental conditions. It is reliable, fully protected and stable which cover provides full dust and water protection (IP67). 5 years warranty included.

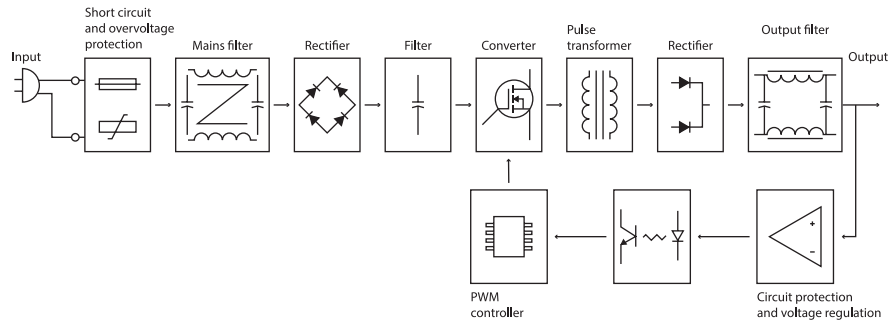
TECHNICAL CHARACTERISTICS

Group	Parameter	LP-6012	LP-6024	Conditions
Input	Rated input voltage	220-240 VAC		
	Input voltage range	180-264 VAC		
	Mains frequency range	47-63 Hz		
	AC current (max.)	0.8 A		At 180 VAC and rated load
	Inrush current (max.)	100 A		
	No load power consumption	0.1 W	0.15 W	
	Input leakage current (max.)	0.25 mA		At 240 VAC
	Power factor correction	Nie		
	Power factor (typ.)	0.5		
Output	Rated output voltage	12 V	24 V	
	Rated output power	60 W		
	Rated output current	5 A	2.5 A	
	Energy efficiency	89%	90%	At 230 VAC
	Energy efficiency class	DoE Level VI, ErP		
	Line regulation	±2%		
	Load regulation	±3%	±2%	
	Ripples and noise	150 mVp-p	120 mVp-p	
	Minimal output current required	No		
	Hold up time (min.)	5 ms		At rated load
	DC voltage rise time (max.)	40 ms		At rated load
	Turn on delay time (max.)	1 s		At rated load
Environmental	Working temperature range	0 to +40°C		
	Working humidity range	25 - 75% RH		40°C
	Storage and transportation temperature range	-10°C ~ +80°C		
	Cooling method	Free air circulation		
Protection	Input: overvoltage (OVP), undervoltage (UVP)	OVP, UVP		
	Output: overcurrent (OCP), short circuit (SCP)	OCP (120-140%), SCP		Hiccup-type OCP (sampling)
	Output overvoltage protection	19 V	36 V	Implemented by the controller
	Transient voltage protection	Yes		
	Thermal protection	Yes		Implemented by the controller
Automatic recovery on fault remove	Yes			
Safety and EMC	Withstand isolation voltage (min.)	3 kVAC		Input to output, 5 mA, 1 min
	Isolation resistance (min.)	100 MΩ		500 VDC
	Isolation class	2		No PE connection needed
	Safety compliance	EN62368-1		
	EMC compliance	EN 55032:2015+A11:2020+A1:2020 EN 55035:2017+A11:2020 EN IEC 61000-3-2:2019+A1:2021 EN 61000-3-3:2013+A1:2019+A2:2021		
Marking	CE, UKCA, RoHS			

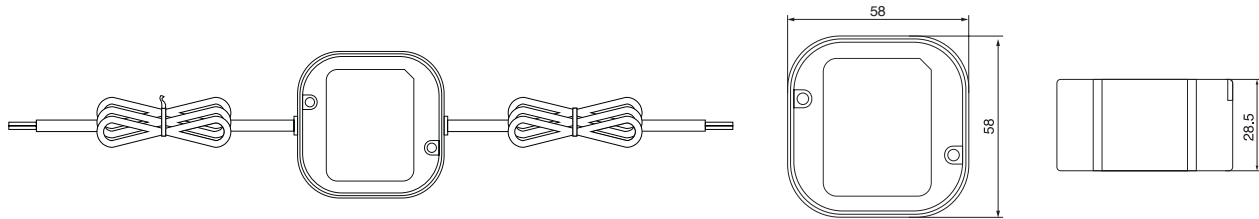
Mechanical and features	Enclosure type	White ABS plastic		IP67, UL94V-0
	Dimensions	58 × 58 × 28.5 mm		L × W × H
	Weight	150 g		
	Input cable length	20 cm		0.5 mm ²
	Output cable length	20 cm 0.82 mm ² (AWG18)	20 cm 0.32 mm ² (AWG22)	
	Single package size	85 × 52 × 70 mm		
	Packing	450 × 285 × 320 mm		100 items
	Manufacturing	China		
	Warranty	5 years		
	MTBF	50 000 h		25°C
EAN	5904139613290	5904139613283		

Notes: Unless otherwise stated, all parameters are specified at 230 VAC input voltage, 50 Hz, ambient temperature 25°C and relative humidity 70% for rated load output. The values of parameters related to the output voltage regulation is measured from low to high line or for load changes from 0 to 100%, respectively. The power supply is considered as an independent unit, but the final equipment still need to reconfirm that the whole system complies with the EMC directives. If the PSU is installed in the final device as a subassembly, the tests should be repeated to verify that the system has been met compliance. Detailed technical data are available on request.

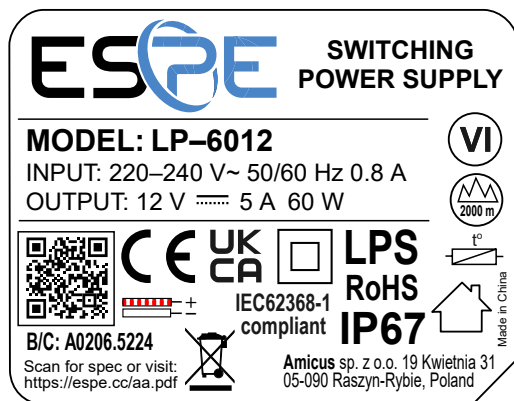
BLOCK DIAGRAM



MECHANICAL SPECIFICATION



PRODUCT LABEL



Legend to the label icons:

- II safety class: no grounding is required, no dangerous voltage even in an emergency situation will appear on output
- maximum allowable power supply mounting height
- internal thermal fuse
- power supply intended for indoor use only
- the product must not be disposed of in normal waste containers
- high efficiency supply with small power consumption at no load, meeting requirements of 6th level rating Energy Star Compliance and European ErP regulations
- degree of protection offered by electrical enclosures against intrusion from foreign objects (such as tools or dirt) and moisture according to PN-EN 60529:2003

ESPE LP POWER SUPPLY SERIES

IP67 ESPE power supply series						
Output voltage [12 V]			Output voltage [24 V]			Dimensions [mm]
Symbol	Current [A]	Power [W]	Symbol	Current [A]	Power [W]	
LP-0612	0.5	6	LP-0624	0.25	6	55 x 29.5 x 22
LP-1212	1	12	LP-1224	0.5	12	50.5 x 49.5 x 25
LP-3012	2.5	30	LP-3024	1.25	30	50.5 x 49.5 x 25
LP-6012	5	60	LP-6024	2.5	60	59 x 59 x 26.5

MARKING SYSTEM

LP-6012

- Rated output voltage **12 V**
- Output power class **60 W**
- Series name **LP**