

COINlight-OSTAR®

CO06A

**Benefits**

- Powered by OSTAR® - Lighting
- 38° optics for wide flood
- Available in white, 3 colour temperatures
- Low energy consumption

Applications

- Downlight
- Shop lighting
- Orientation and accent lighting

Technical Operating Data

Product	Color	Number of LEDs	Voltage [V DC]*	Power [W]*	Current [A]*	Radiance Angle [°]*	Wavelength [nm] Color Temp [K]*	Lum. Intensity [cd]*
CO06A-W4-854	white	1	24	12,0	0,5	38	5400 K	450
CO06A-W3-854	white	1	24	12,0	0,5	38	5400 K	310
CO06A-W4-847	white	1	24	12,0	0,5	38	4700 K	450
CO06A-W3-847	white	1	24	12,0	0,5	38	4700 K	310
CO06A-W4-730	white	1	24	12,0	0,5	38	3000 K	330
CO06A-W3-730	white	1	24	12,0	0,5	38	3000 K	240

*) All Data are related to the entire module

Due to the special conditions of the manufacturing processes of LED the typical data of technical parameters can only reflect statistical figures and do not necessarily correspond to the actual parameters of each single product which could differ from the typical data.

Technical Features

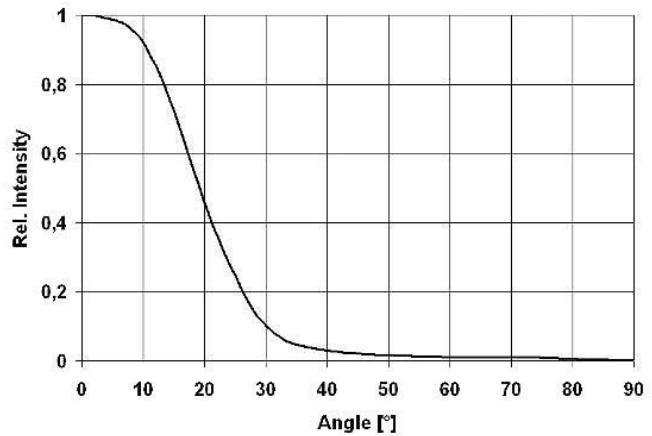
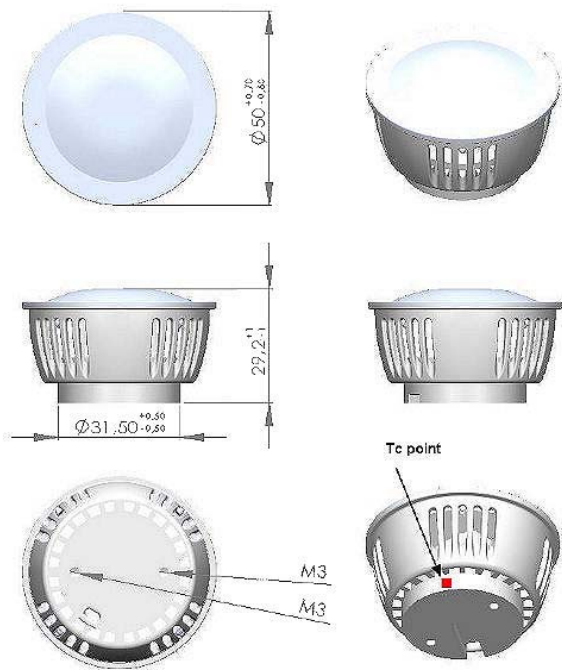
- Powered by one high performance OSRAM OSTAR® - Lighting
- Size of LED module
Diameter: Ø 50 mm
- Dimension of COINlight-OSTAR® similar to DECOSTAR®
- 38° viewing angle for wide flood
- Operation only with OPTOTRONIC® power supplies: OT20, OT20S, OT75, OT75E
- Only parallel connection allowed
- Parallel connection of up to 6 LED modules with the power feed in the center to one OT75
- Dimmable by pulse width modulation (PWM) with the electronic controller OT DIM
- Factory installed three cable:
 - red cable (+ pole)
 - black cable (- pole)
 - white cable (dimming)
- Cable length 500 mm, cable Ø: 0,2 mm² / AWG 24

Minimum and Maximum Ratings

Product	Operating Temperature at Tc-Point [°C] *	Storage Temperature [°C] *	Voltage Range [V dc] *	Reverse Voltage [V dc] *
CO06A-W4-854	-30 ... 105	-30 ... 105	23 ... 25	25
CO06A-W3-854	-30 ... 105	-30 ... 105	23 ... 25	25
CO06A-W4-847	-30 ... 105	-30 ... 105	23 ... 25	25
CO06A-W3-847	-30 ... 105	-30 ... 105	23 ... 25	25
CO06A-W4-730	-30 ... 105	-30 ... 105	23 ... 25	25
CO06A-W3-730	-30 ... 105	-30 ... 105	23 ... 25	25

*) Exceeding maximum ratings for operating and storage temperature will reduce expected life time or destroy the LED Module.
 Exceeding maximum ratings for operating voltage will cause hazardous overload and will likely destroy the LED Module.
 The temperature of the LED module must be measured at the Tc-point according to EN60598-1 in a thermally constant status with a temperature sensor or a temperature sensitive label. For exact location of the Tc-point see drawing below.

Drawing



Safety Information

- The LED module itself and all its components must not be mechanically stressed.
- Assembly must not damage or destroy conducting paths on the circuit board.
- To avoid mechanical damage to the connecting cables, the module should be attached securely to the intended substrate. Heavy vibration should be avoided.

The LED Module incorporates no protection against short circuits, overload or overheating. Therefore it is absolutely necessary to operate the modules with a electronically stabilised power supply offering protection against the above mentioned safety risks. For dimming applications attention should be paid to specific references in "OPTOTRONIC © Technical Guide".

OSRAM OPTOTRONIC © power supplies are specifically designed with protection features for safe operation.

When using power supplies other than OPTOTRONIC © the following basic safety features are required, in addition to any other application specific concerns and local safety codes:

- Short circuit protection
 - Overload protection
 - Overheat protection
-
- Installation of LED modules (with power supplies) needs to be made with regard to all applicable electrical and safety standards. Only qualified personnel should be allowed to perform installations.
 - Observe correct electrical polarity!
For all W3 / W3F types (except LM10P / LD06A / DC02A) wrong polarity will lead to emission of red light. Attention, the module can be destroyed! Correct polarity immediately!
For all other types, including LM10P / LD06A / DC02A), wrong polarity will lead to no light emission only (see also reverse voltage, page 2)
 - Parallel connection is highly recommended as safe electrical operation mode.
Serial connection is not recommended. Unbalanced voltage drop can cause hazardous overload and damage the LED module.
 - Pay attention to standard ESD precautions when installing the module.
 - Please ensure that the power supply is of adequate power to operate the total load.
 - In case of thermal overload in the application COINlight-OSTAR© intelligent protection system would switch over into reversible blinking mode. The LED module will not be damaged. Improving heat dissipation by extending the size of the heat sink or reducing the ambient temperature would provide regular operation mode.
 - Electrical contact is achieved with the contact cables. One COINlight-OSTAR© can be operated on one OT20 or OT20S. A maximum of 6 modules can be installed parallel on one OPTOTRONIC 75W. COINlight-OSTAR© cannot be operated with OT DALI 25/220-240/24 RGB as the intelligent protection system of the module is not supported.
 - COINlight-OSTAR© works as a three wire system: red cable (pluspole), black cable (minuspole) and a white cable for dimming.
 - A schematic drawing with wiring diagrams for dimming purpose is shown in the separate application note: "Dimming COINlight-OSTAR©".
 - The module, as manufactured, has no conformal coating and therefore offers no inherent protection against corrosion.
 - Damage by corrosion will not be honored as a materials defect claim. It is the user's responsibility to provide suitable protection against corrosive agents such as moisture and condensation and other harmful elements.
 - If the IP rating of the fixture should be higher than IP20, the design of the housing should be according to the IP standards in the application.

Assembly Information

- The mounting of the module has to be done on a metal heat sink!
- In order to optimise the thermal management the metal surface needs to be clean (free from dirt and oil) and planar for the best contact with the LED module.
- The housing of the COINlight-OSTAR® is a primary heat sink. The metal surface increases the cooling effect, prolongs the service life time and increase luminous intensity.
- Heat sink accessory in preparation.

Ordering Guide

Productgroup	Productname	EAN *	S-Unit *
COINlight-OSTAR®	CO06A-W4-854	4008321231697	20
COINlight-OSTAR®	CO06A-W3-854	4008321231451	20
COINlight-OSTAR®	CO06A-W4-847	4008321231758	20
COINlight-OSTAR®	CO06A-W3-847	4008321231512	20
COINlight-OSTAR®	CO06A-W4-730	4008321231819	20
COINlight-OSTAR®	CO06A-W3-730	4008321231574	20

*) EAN: Ordering number per single module
S-Unit: Modules per shipping unit

Note: Typical performance data are subject to change without any further notice, particularly as LED technology evolves.

Sales and Technical Support

OSRAM GmbH

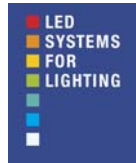
Hellabrunner Strasse 1
D - 81536 München
Germany
www.osram.com
+49 (0)89 6213-0

Sales and technical support is given by the local OSRAM subsidiaries.
On our world wide homepage all OSRAM subsidiaries are listed with complete address and phone numbers.

Related and Further Information

- OPTOTRONIC® Data Sheets <http://catalog.myosram.com>
- The new dimension of light 153 S006 GB
- OPTOTRONIC® Technical Guide 130 T008 GB
- Application Note: Dimming COINlight-OSTAR™

" Dimming COINlight-OSTAR™ "



Application document for COINlight-OSTAR™

COINlight-OSTAR™ is a high end LED module, that can be easily used in various combinations with OSRAM power supplies and control systems.

Dimming COINlight-OSTAR™ benefits:

- Wide dimming range from 0 – 100%
- Linear dimming characteristic
- No noise generation

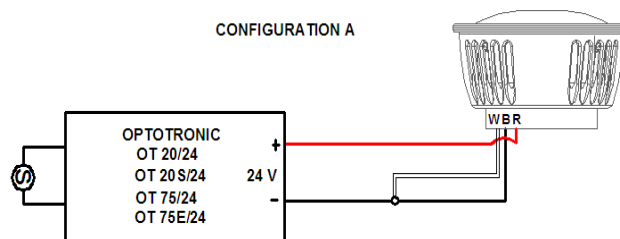


OSRAM OPTOTRONIC POWER SUPPLY	Configuration
OT 20/24	A
OT 20S/24	A
OT 75/24	A
OT 75E/24	A
OT 60 EASY	B
OT DIM	C

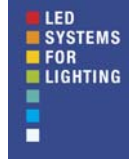
combination chart

COINlight-OSTAR™

A Operation with power supply (no dimming)



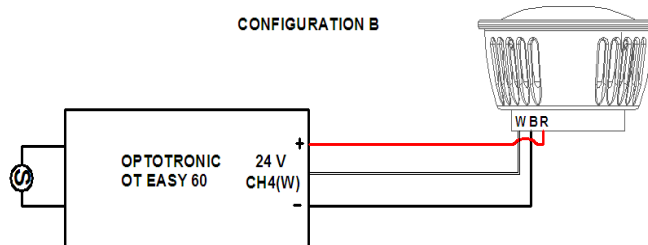
" Dimming COINlight-OSTAR™ "



Application document for COINlight-OSTAR™

B Operation with OT EASY 60 (dimmable)

Use of COINlight-OSTAR in basic light management systems with OT EASY 60 which consists power supply and control in one device.



C Operation with OT DIM (dimmable)

Operation of COINlight-OSTAR with a power supply in combination with 1-channel dimming device.

